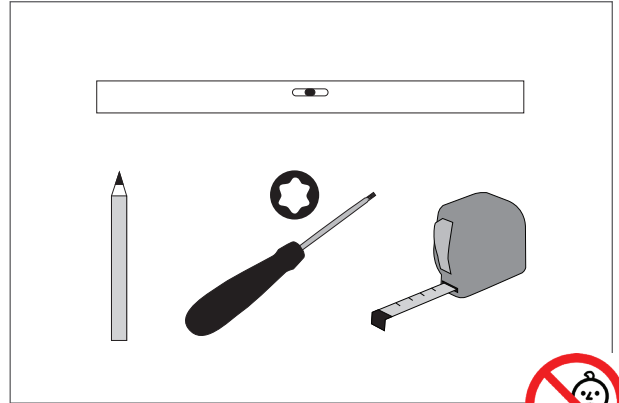
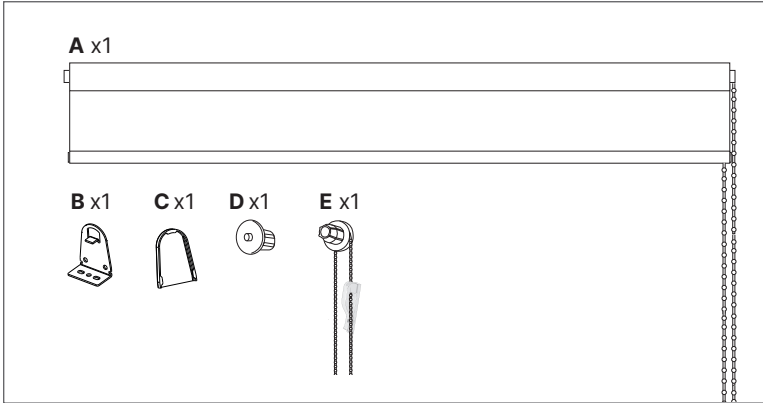


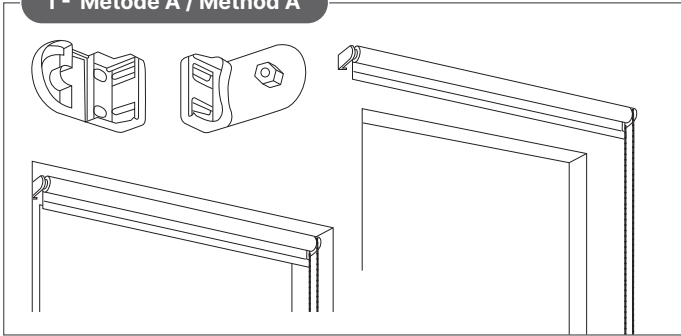
03.2026 - ver.1



**VÆLG MONTERINGSMETODE (A ELLER B)**

CHOOSE MOUNTING METHOD (A OR B) / KIES MONTAGEMETHODE (A OF B)

**1 - Metode A / Method A**



**1 - Metode B / Method B**

