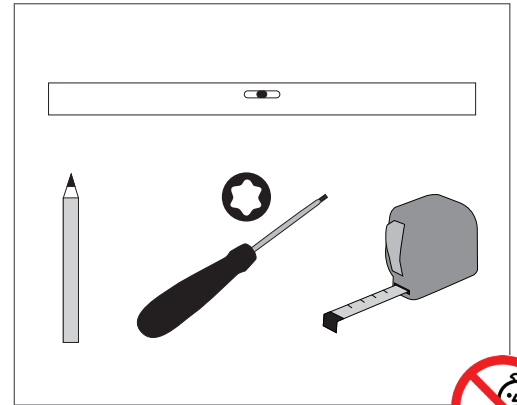
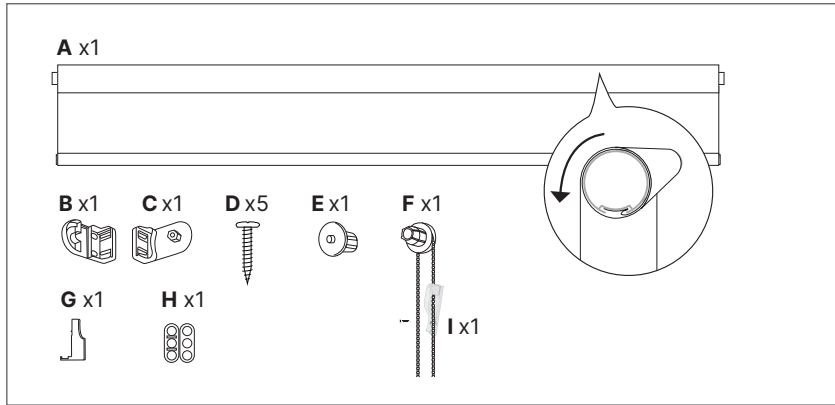


03.2026 - ver.1



VÆLG MONTERINGSMETODE (A ELLER B)

CHOOSE MOUNTING METHOD (A OR B) / KIES MONTAGEMETHODE (A OF B)

